

INSTALLATION GUIDE

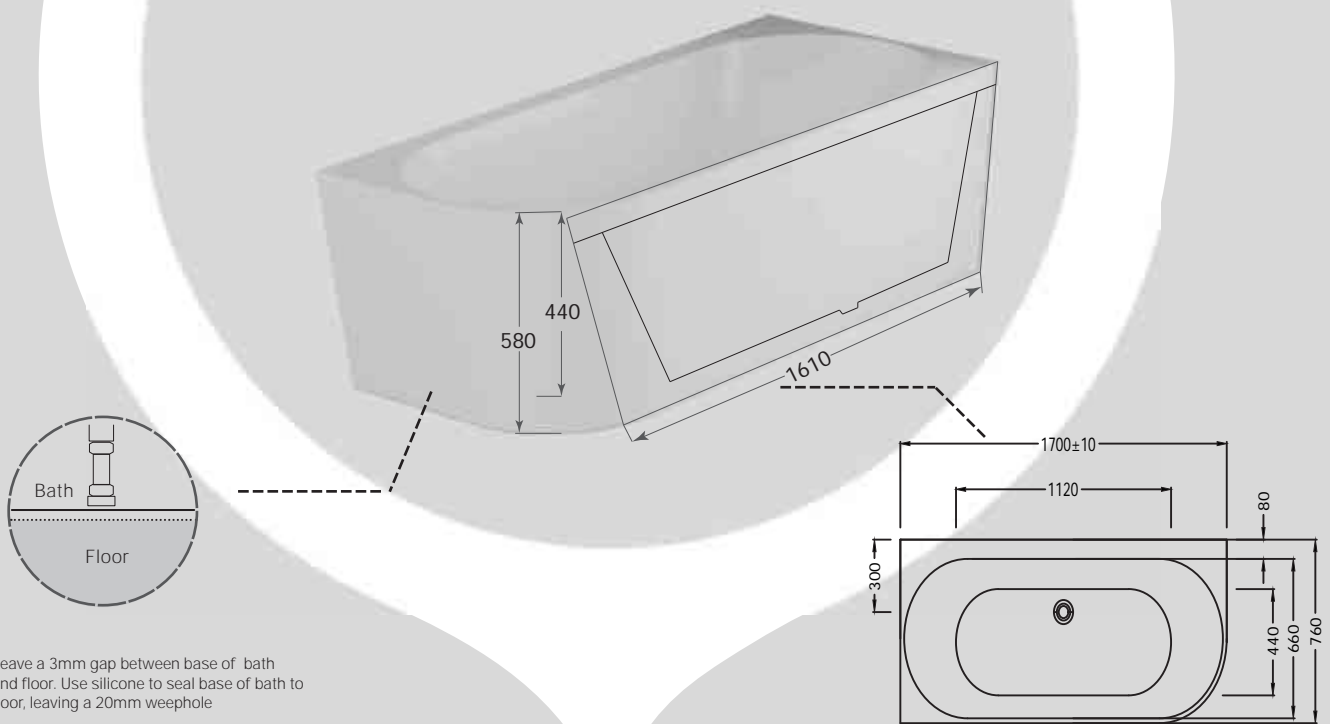
CORNER BACK TO WALL FREESTANDING BATH BF-OW1700RH-760(RIGHT CORNER)

Important – Read This First

1. Inspect the bath **before installation** to ensure there are no visible defects. If a defect is found, do not install the bath and contact the supplier immediately. Claims for defects will not be accepted after the product has been installed.
2. The bath must be installed by a **licensed tradesperson**. Failure to do so may void the warranty.
3. Compliance with **AS.3740 Waterproofing of Wet Areas within Residential Buildings** applies when installing baths.
4. **Local authorities** may have specific installation requirements and this should be checked before installation.
5. Grade the **bath sub-floor** in accordance with requirements of local authorities. Grade sub-floor 1:60 minimum.

Installation notes

1. Can be installed using a flexible connector pipe (not supplied).
2. Suits 40 mm waste (not supplied).
3. Use acetic cured silicone sealant. Do not use epoxy type adhesives.
4. Always use the actual product to verify placement.
5. The bath is supplied with four adjustable support feet on the base frame of the bath. Position the bath and use the adjustable feet to level the bath. Leave a 3mm void between the base of the bath and the floor. Use silicone around the base to seal the bath to the floor. Allow a 20mm gap in the silicone seal as a weephole (gap is designed to reveal any plumbing leakage).



Please note

- All measurements are in millimetres.
- Dimensions are nominal and subject to normal ceramic manufacturing variations of ± 5 mm.
- Fixing: Use acetic cured silicone sealant. Do not use epoxy type adhesives.
- Specifications may vary without notice as part of our continuous improvement practices.
- Clean with a damp cloth. Do not use abrasive cleaners, liquids or pastes.