

INSTALLATION GUIDE

OASIS VANITY

Vanity 90, Vanity 70 , Vanity 75, Vanity 45



O A S I S



Thank you for purchasing this Oasis product

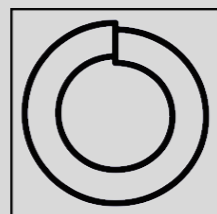
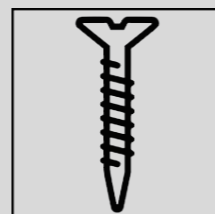
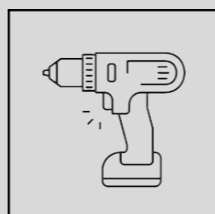
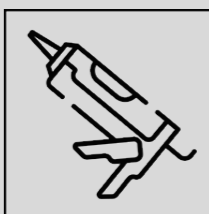
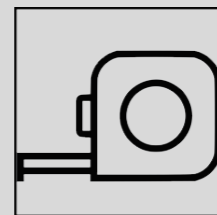
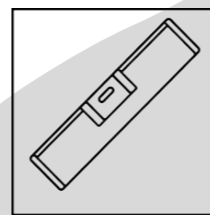
Please read through these instructions carefully and refer back to them during installation to ensure that your product is fitted safely and that it retains its high quality finish.

Warnings for Safe Use

Please read the instructions and warnings carefully before installing the product and ensure this document is kept with the product for future reference to ensure product longevity and in the interest of safety.

- This product is intended for domestic use only.
- Not for use in saunas, steam rooms.
- It is recommended that this product is installed by 2 people who are able to meet the level of competence required in order to comply with relevant regulations.
- This product is designed for installation into a brick or masonry block wall. If mounting onto other substrate, ensure appropriate fixing and batons are used(if required) and the load bearing of the wall is sufficient.
- When drilling use appropriate eye protection.
- Take care when using power tools near water - the use of a residual current device (RCD) is advised.
- Beware of hidden cables or pipes. Take care if drilling on tiled surfaces in case the drill slips.
- Do not overload shelves or unit.
- Do not sit or stand on the unit.
- Ensure that excessive standing and surface water is removed from the product to avoid long term damage and spoiling

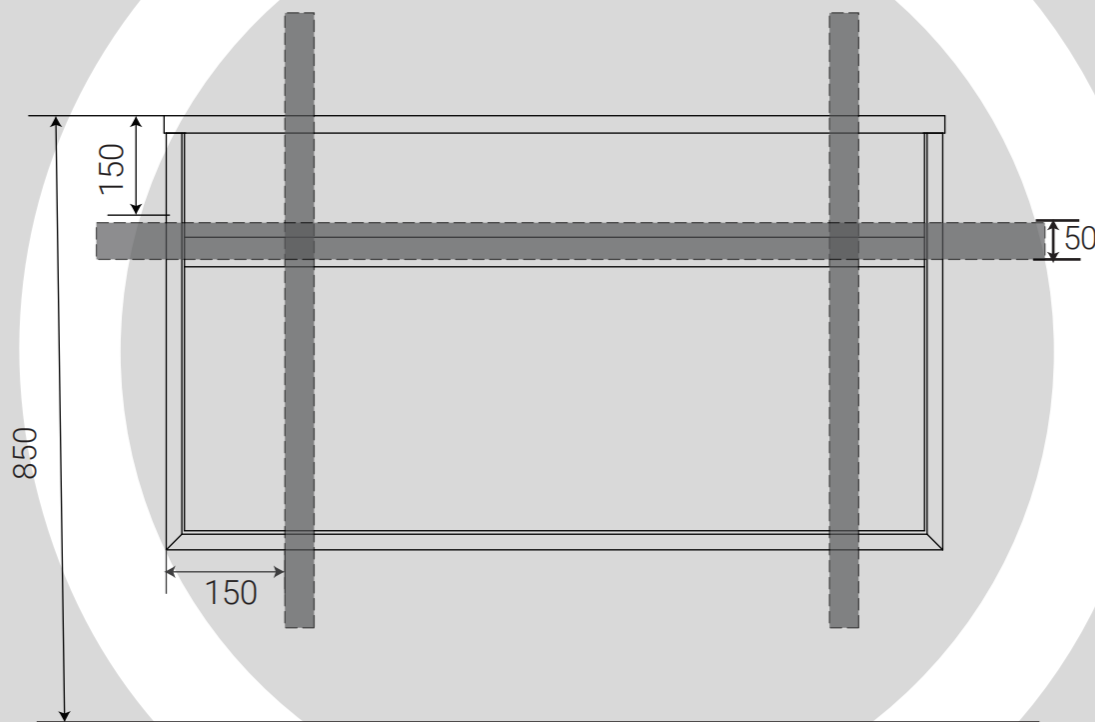
Tools and Materials Required- (Not Supplied)



Installation Instructions:

Construction Requirements:

Wallmount cabinets should be fixed to a nog to support the attached vanity. Detailed positioning and the nog size are shown in the following photo. If required, use a stud finder to find studs and nogs.



Check for Plumb Walls and Level Floors:

Ensure the wall is plumb and straight, ensure floor is level. If you fix the product to a non-plumb wall or floor the following could happen:

- Your door or drawers will not operate correctly
- Door or drawer adjustments will not align.
- Basins will not sit level, which may cause water to pool or not drain properly. If it is not possible to make the wall or floor plumb and straight you must pack the vanity out so that it does not follow the out of aligned wall.

Floor standing vanities must sit on a level floor or be packed so they sit level and true.

Measuring Up

Measure up your space & ensure the correct solution has been ordered. Measure between wall A & B check that the cabinet length, depth & height is correct for the space.

Remove doors & drawers and drill holes for plumbing in the back panel and/or base of the cabinet with an appropriate sized hole saw. Pre-drill screw locations for fastening to wall Modular Cabinet.

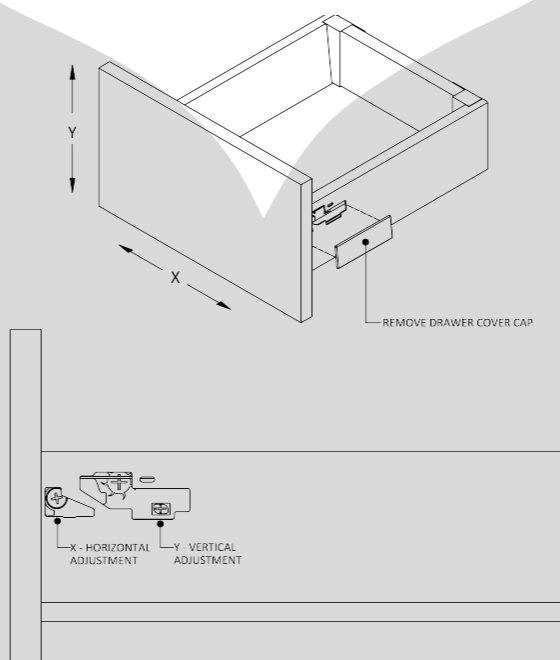
Pre-drill carcass side for spacer fixing 50mm from front of carcass. Then drill holes vertically (3 holes recommended) Hole locations to be determined by installer to avoid cabinet hardware. e.g. hinges, drawer runners etc.

Note: Freestanding vanities should likewise, be checked for sitting level plumb and square and suitably packed to achieve this. Fix to the wall to secure either through the back rail or back panel

Drawer Removal

Pull out the drawer runner from the cabinet and remove the cap located on the drawer steel side panel.

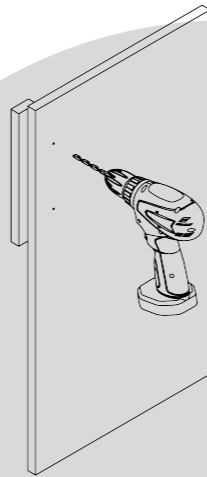
Gently, unlock the drawer by holding the click button, then remove the drawer by lifting it slightly and moving it away from the drawer runner



Door Panel Removal

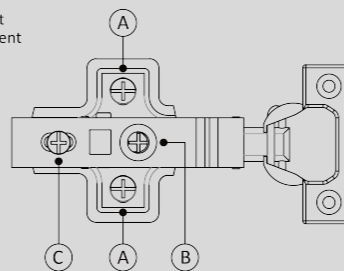
To remove the door of cabinet, find the location of the hinges, then press the buttons at the rear of the hinges.

It may be necessary to hold the door panel whilst removing it to avoid the door panel from dropping and becoming damaged.



HINGE ADJUSTMENT
(Adjustment applies when door is mounted)

A - Vertical Adjustment
B - Horizontal Adjustment
C - In/Out Adjustment



Drilling Holes for Water Supply and Draining:

Refer to the picture for the pipe holes on the back of the cabinet and make sure that they are located in the centre of the back. Please ensure that plumbing hole's position meets the trap installation requirements (Maximum 255mm between the bottom of the basin to the bottom of the trap).

Use a hole saw to drill suitable holes for water supply and draining according to the photo below.

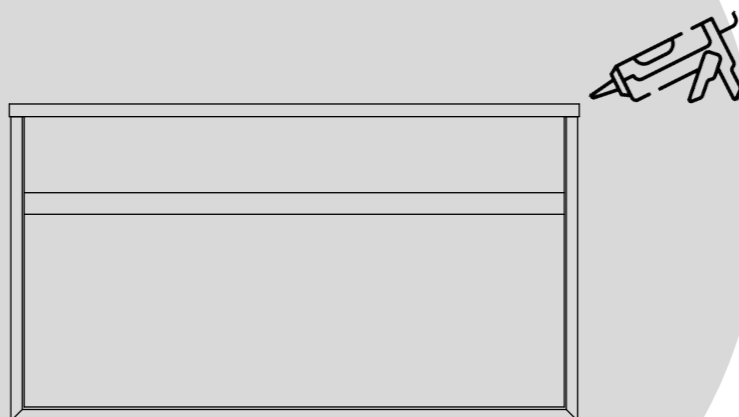
Vanity Top Installation

Prior to Installation, Check the vanity top for any visible damage after removing packaging, at this time also confirm your selected tapware will fit your vanity top before installing as well.

Apply silicone to each top edge of the cabinet, except the front edge. Ensure there are no gaps in the sealant bead when fastening the cabinets on the wall to avoid water slippage into the cabinets.

Place the vanity top onto the cabinet and make sure each edge is flush and that the overhang of either is equal.

Clear up any excess sealant.



Drawer Re-installation

Extend the runners slightly, then place the drawer box onto the drawer runners. Please make sure the drawer box aligns exactly with the runners.

Gently press the drawer box down until you hear the button click which ensures the drawer is fastened.

The drawer runners will slide smoothly when you re-install correctly.

Sealing

All edges must be sealed with silicone. Once the silicone has fully dried, installation is complete. Apply silicone to all the edges to ensure cabinets are sealed securely.